

Features

- Universal Input 100~240V ac
- Interchangeable Plugtop Adapters
- Approved to UKCA, CE, cULus, TUV-GS, RCM (C-Tick), FCC, RoHS
- Safety standards to EN/UL 60950-1
- Single Output 7.5V DC
- OVP, OCP, OTP, SCP



Ideal Power's 25HK-U-xAz-CP-3A 6W AC/DC External Adapter Interchangeable Power Supply (PSU) Series are certified to UKCA, CE, cULus, TUV-GS, RCM (C-Tick), FCC, RoHS & UL 60905-1/EN 60905-1 Standards and comply with (EU) 2019/1782, Level VI Efficiency Regulations. These are primarily used in ITE, Audio & Video Industries and customised solutions are available upon request.

Models

Model Number	Output Voltage (V dc)	Output Current (A)	Output Power (W)	Efficiency (%)
25HK-U-075A080-CP-3A	7.5	0.8	6	73.5

Input Data

	Min	Typical	Max	Units	Notes
Input Voltage	100	--	24	V ac	+/- 10%
Input Frequency	47	--	63	Hz	60Hz/50Hz Nominal
Input Current	--	--	0.2	A	at 100-240V ac input & Full load
Inrush Current	--	--	50	A	at 100-240Vac input and Max load for a cold start at 25°C

Output Data

	Min	Typical	Max	Units	Notes
Output Current Range	0.0	--	0.8	A	
Output Voltage Range	7.12	--	7.88	V	
Ripple & Noise	--	--	300	mVp-p	
Line Regulation	--	3	2	%	
Turn-on Delay Time	--	--	2	S	At 110VAC full load.
Hold-up Time	10	--	--	S	At 110VAC full load.

Protection Requirements

	Min	Typical	Max	Units	Notes
Over Current Protection	--	--	--	A	Will recover if fault condition is removed
Short Circuit Protection					Will recover if fault condition is removed
Over Voltage Protection					Will recover if fault condition is removed

Environmental Data

	Min	Typical	Max	Units	Notes
Operating Temperature	0	--	+40	°C	
Storage Temperature	-20	--	+70	°C	
Operating Humidity	10	--	90	%	non condensing
Relative Humidity	5	--	95	%	non condensing

Reliability Requirements

	Min	Typical	Max	Units	Notes
Burn-in	2	--	--	Hrs	Under normal input and 80% rated load at 40°C ± 5°C
MTBF	50.000	--	--	Hrs	At 25°C Full load and nominal input
Dielectric Strength	--	--	4	mA	AC 3000 Vrms, 1 minute test time
Leakage Current	--	--	0.25	mA	@ 264Vac / 50H
Insulation Resistance	50	--	--	mΩ	At primary to secondary 500Vdc test voltage

EMI/EMS Standards

	Test Level	Test Criteria
EMI	EN 55022, FCC Part 15	Class B
EMS	EN61000-3-2:2006/A2:2009 EN61000-3-3:2008 EN55024:2010/AC:2011 IEC61000-4-2:2008 IEC61000-4-3:2006/A1:2007/A2:2010 IEC61000-4-4:2012 IEC61000-4-5:2005 IEC61000-4-6:2008 IEC61000-4-8:2009 IEC61000-4-11:200	

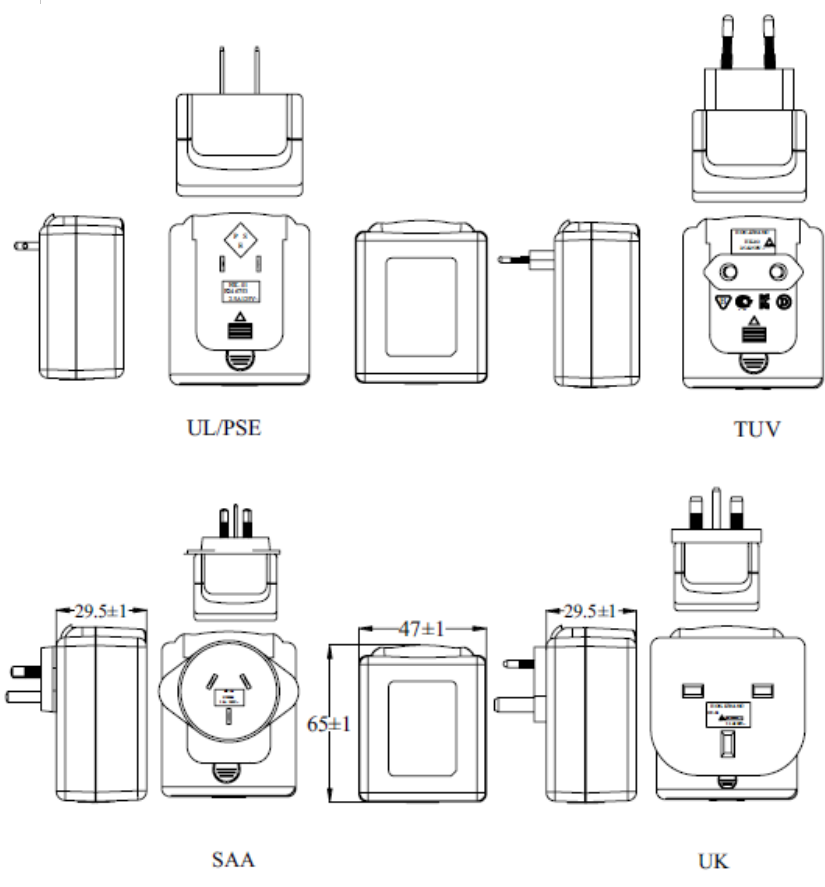
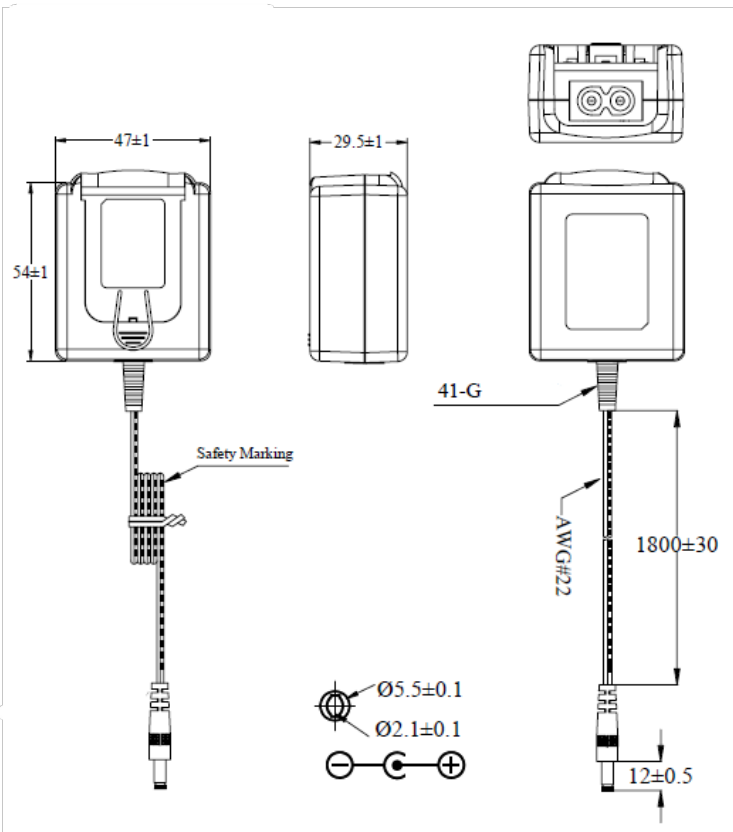
Safety Approvals

	Safety Standards
Safety Standards	IEC/EN/UL 60950-1
Approvals	UKCA, CE, cULus, TUV-GS, RCM (C-Tick), FCC, RoHS

Product Information

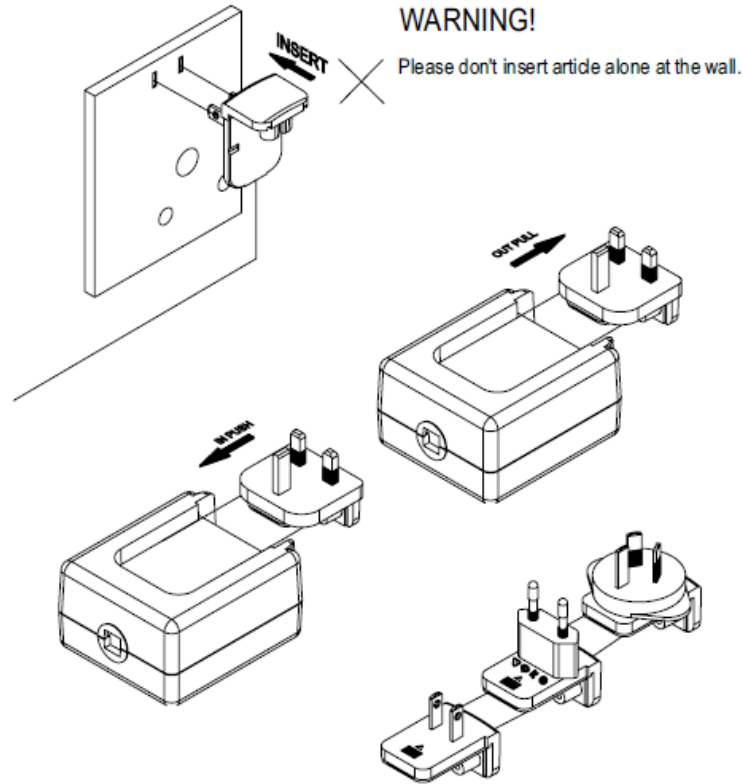
	Notes
Dimensions	54x47x29.5mm
Output Cord	22AWG, 1.8M
Output Connector	DC Plug: 2.5 x 5.5 x 12.0mm

Mechanical Drawing



AC - DC

Use Specification



Label Drawing

